

ThinAir® PARTS LIST



PARTS LIST		
DWG #	Stock #	DESCRIPTION
TA1	1080	Cover - ABS (includes nameplate & cover hardware)
	1085	Cover - Brushed Stainless Steel (includes nameplate & cover hardware)
	1086	Cover - Special Image on Brushed Stainless Steel (includes nameplate & cover hardware)
TA2	920	Tamper Proof Bolt For Cover
TA3	630	Tamper Proof Wrench
TA4	234.8	Knockout Gasket
TA5	116	Bracket Cover Hook (ABS Cover Only)
TA6	518	Nozzle
TA7	118	Optic Bracket
TA8	30088	Optic Assembly (Includes Optic Bracket 118)
TA9	253	Finger Guard
TA10	40004	Heating Element Assembly 110-120V
	40005	Heating Element Assembly 208-240V
TA11	301	Muffler Housing (Output)
TA12	252	Muffler Housing Foam (Output)
TA13	234.92	Motor Gasket Ring
TA14	192	Blower Housing Front
TA15	117	Bracket Cover
TA16	40106	Control Assembly (includes optic & bracket)
TA17	57	Motor 120V (includes motor gasket/ring)
	59	Motor 230V (includes motor gasket/ring)
TA18	234.9	Motor Gasket
TA19	40530	Pre-filter (includes screen)
TA20	250	Muffler Foam (input)
TA21	300	Muffler Housing (input)
TA22	193	Blower Housing Back
TA23	563	Base Plate
TA24	491	Nameplate
TA25	36.5	PVC Tubing
TA26	40042	Terminal Block
	1500	Sub Assembly 110-120V
	1501	Sub Assembly 208-277V



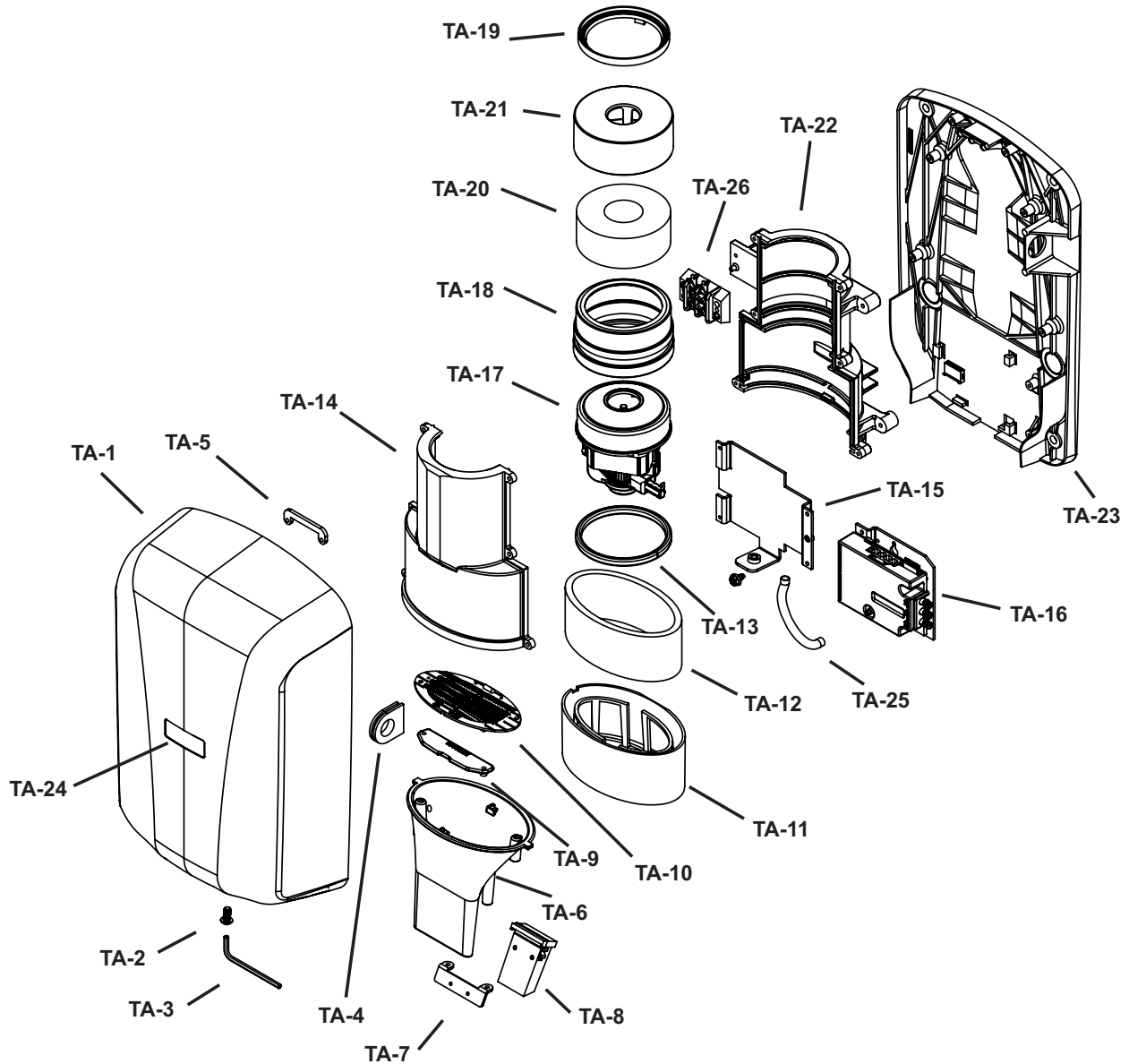
TIME TO THROW IN THE TOWEL®

EXCEL DRYER INC • 1.800.255.9235 • EXCELDRYER.COM

MAY
2018

18TAT0336

ThinAir® PARTS LIST



TIME TO THROW IN THE TOWEL®

EXCEL DRYER INC • 1.800.255.9235 • EXCELDRYER.COM

MAY 2018

18TAT0336