

**THIN AIR® HAND DRYER MODEL TA****INSTALLATION AND OWNER'S MANUAL****CONTENTS OF BOX**

Hand Dryer

Tamper-Proof Wrench  
Knockout Gasket

Installation and Owner's Manual

**MODEL INFO**

Dryer Model \_\_\_\_\_

Serial Number \_\_\_\_\_

Date of Purchase \_\_\_\_\_

Please read and retain these instructions for future reference. Protect yourself and others by observing all safety information. Failure to comply with instructions could result in personal injury and/or property damage.

**IMPORTANT SAFETY INSTRUCTIONS**

**WARNING:** For proper electrical connections, check your local building codes. Unit must be installed by a qualified, licensed electrician.

This hand dryer can be used by children aged from 8 years and above and persons with reduced physical, sensory, or mental capabilities or lack of experience and knowledge if they have been given supervision or instruction concerning use of the appliance in a safe way and understand the hazards involved. Children shall not play with the dryer. Cleaning and user maintenance shall not be made by children without supervision.

# READ AND SAVE THESE INSTRUCTIONS

## WARNING

To reduce the risk of fire, electric shock, or injury to persons, observe the following:

### PRE INSTALLATION WIRING

APPLIANCE NOT INTENDED TO BE CONNECTED BY FLEXIBLE CABLE AND PLUG, ONLY FOR FIXED WIRING

- Check that the electrical supply corresponds to that shown on the rating sticker of unit. If the dryer is connected to any electrical supply other than that stated on the rating sticker of the unit, permanent damage or improper, unsafe operation of the unit may result.
- Make sure electricity is switched off at the main panel before installing, maintaining or cleaning this hand dryer. Dryer must be installed in accordance with current local wiring and building regulations.

- Do not wire this hand dryer into the lighting circuit. It must be protected by an independent circuit.
- Dryer is intended to be permanently connected to power supply, and must be properly grounded

### SAFETY

- Troubleshooting and internal maintenance must be performed by qualified service personnel.
- Do not use any power wash equipment for cleaning on or near this unit.
- Do not use the dryer for drying hair.
- Do not obstruct air inlets or outlets.

### INSTALLATION INSTRUCTIONS

1. Disconnect the power source previously brought to the hand dryer location (see pre installation wiring above).
2. Use the Tamper-Proof Wrench supplied and remove the Tamper-Proof Bolt on bottom

- of cover lifting upwards to remove cover from base plate.
3. If electrical wiring entry is to be made from the rear, remove the appropriate pre-formed knockout on the base plate. If entry is to be made from the side, knock out the pre- formed area on the right side



## READ AND SAVE THESE INSTRUCTIONS

of cover for your supply connection using knockout gasket provided. A rigid conduit diameter 20 mm must be used.

4. Select the appropriate mounting height for dryer (Table 1) and fastener, as recommended (Table 2). There should be no obstruction between the hand dryer and the floor. If mounting over a countertop, distance from counter to dryer must be 15" (381 mm) minimum.

**CAUTION:** *Do not use Base Plate as a guide when drilling. Make sure no pipe work (gas, water, air) or any electrical cables or wires are located directly behind the area to be drilled.*

5. Attach Base Plate at the four corners to smooth wall. Use one of 2 knockouts provided for service entry on back of Base Plate. If using surface wiring use knock out in right side of cover. Use Knockout Gasket supplied around conduit for water seal. See Mounting Details.
6. Identify the voltage of your dryer from the rating sticker of the unit. Then connect to a dedicated

branch circuit not exceeding 20 Amp. During electrical installation, make sure the dryer is connected to a circuit having a switch with contact separation in all poles that provide full disconnection from the power supply under over-voltage categories III or per your local wiring and building regulations.

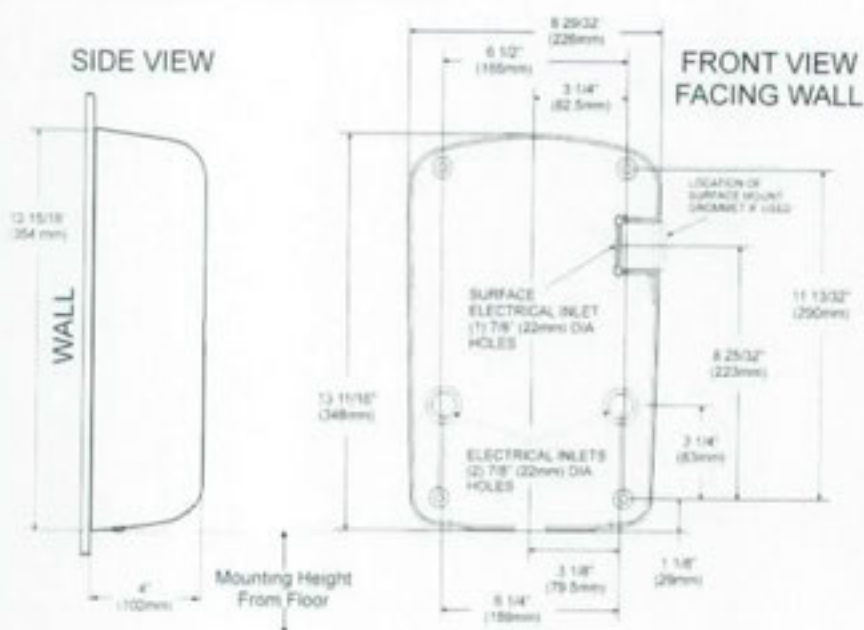
7. Secure electrical wiring to terminals as indicated by the schematic affixed to blower housing. An identified ground connection point is supplied on the Base Plate for your equipment ground wire. Dryers should be installed per local code requirements.
8. In multiple installations, make sure the serial number marked on the inside matches the cover number. Then carefully replace Cover by inserting top of Cover over bracket and tilting downward. Use Tamper-Proof Bolt previously removed in step 2.
9. Restore power and test for proper operation
10. Return Tamper-Proof Wrench to owner.

# READ AND SAVE THESE INSTRUCTIONS

TABLE 1 SUGGESTED MOUNTING HEIGHT from floor to bottom of dryer:		TABLE 2 MOUNTING HARDWARE Recommended Fasteners (not provided)	
Men	45" (114 cm)	Masonry Wall	½" Expansion Sleeve with ¼" Lag Bolt
Women	43" (109 cm)	Hollow Wall	¼" Wing Type Toggle Bolt
Teenagers	41" (104 cm)	Wooden Wall	¼" Lag Screw With Washer
Small Children	35" (89 cm)		
Handicapped	37" (94 cm)		

- Use this unit only in the manner intended by the manufacturer.
- Before servicing or cleaning unit, switch power off at service panel and lock the service disconnecting means to prevent power from being switched on accidentally. When the service disconnecting means cannot be locked, securely fasten a prominent warning device, such as a tag, to the service panel.

## MOUNTING DETAILS



## CLEANING / MAINTENANCE

**OUTSIDE:** Gently wash Cover (including air inlet holes) using a soft cloth or sponge and a mild soap or detergent with lukewarm water to loosen dirt and grime.

**INSIDE:** Excel recommends inspecting the inside of the dryer and cleaning as required at least once per year, or if performance diminishes. Heavier usage, or an environment that contains excessive lint, dust or other particles, requires more frequent cleaning. Lint on the air inlet, the Pre-Filter, or other internal parts of dryer will reduce efficiency and shorten the life of the working parts.

To clean, shut off power to dryer at service connection. Use the Tamper-Proof Wrench supplied and remove the Tamper-Proof Bolt on bottom of cover lifting upwards to remove cover from base plate. Gently clean all parts using a small, soft brush. Unclip the Pre-Filter, rinse with water and dry. Re-install.



## TROUBLESHOOTING

### Dryer does not turn on

1. Check power to the unit and connections. Verify dryer is receiving voltage at Terminal Block.
2. Check RED service LED light for the following:

**Light is ON** – Place hands under Sensor. If light stays on, then replace Sensor. If light goes off, check to make sure wiring is correct. If OK, check wire connecting to Motor. If both are OK, replace Motor.

**Light is OFF** – Check for loose, disconnected or improper wiring (See wiring schematic inside dryer Cover), or replace Control Assembly.

**Light is FLASHING** – See error codes in CODE chart.

**SENSOR RANGE ADJUSTMENT:** If dryer will not turn on, stays on, or stops working, it may be mounted too close to a counter or object and has gone into lockout. If relocating appliance is not possible, adjust the range of the Sensor. Turn off power to dryer then turn the range adjustment on the Control Assembly counterclockwise towards L (-) low to decrease Sensor range.

### Dryer does not shut off

1. May be mounted too close to a counter or object (adjust Sensor range).
2. Check for loose, disconnected or improper wiring (Refer to wiring schematic affixed to blower housing).
3. Replace Control Assembly.

### Dryer does not always turn on, or turns on by itself

1. May be mounted too close to counter or object (adjust Sensor range).
2. Check for foreign material on Sensor next to Air Outlet.
3. Check for loose wires on Control Assembly.
4. Replace Control Assembly.

### Dryer heats up but no air comes out

1. Check wire connection to Motor.
2. Replace Motor.

### Dryer blows only cold air

1. Check heat setting on control.
2. Check for loose connections to Heating Element.
3. Replace Heating Element.

### Dryer has a loss of air volume

1. Check motor speed setting on Control Assembly.
2. Check for slow running Motor or burning smell. If so, replace Motor.
3. Check Pre-Filter for lint buildup. Clean by removing Pre-Filter and rinse in warm water then dry Pre-Filter before reinstalling.

## CODE CHART

Codes are displayed by flashing of the red LED in the sensor behind air outlet.

Normal operation will be indicated by the red LED being on when not drying and off when hands are under the sensor.

### DRYER MAINTENANCE CODES

1 SHORT / 1 LONG FLASH	Clogged Pre-Filter	Clean Pre-Filter	Dryer will still run
2 SHORT / 1 LONG FLASH	In lockout mode	Clear obstruction	Dryer stops until obstruction cleared

### MOTOR PROBLEM CODES

1 LONG / 3 SHORT FLASH	Motor Over Current	Replace Motor	Dryer will stop
1 LONG / 4 SHORT FLASH	Motor Under Current	Replace Motor	Dryer will stop

### HEATER PROBLEM CODES

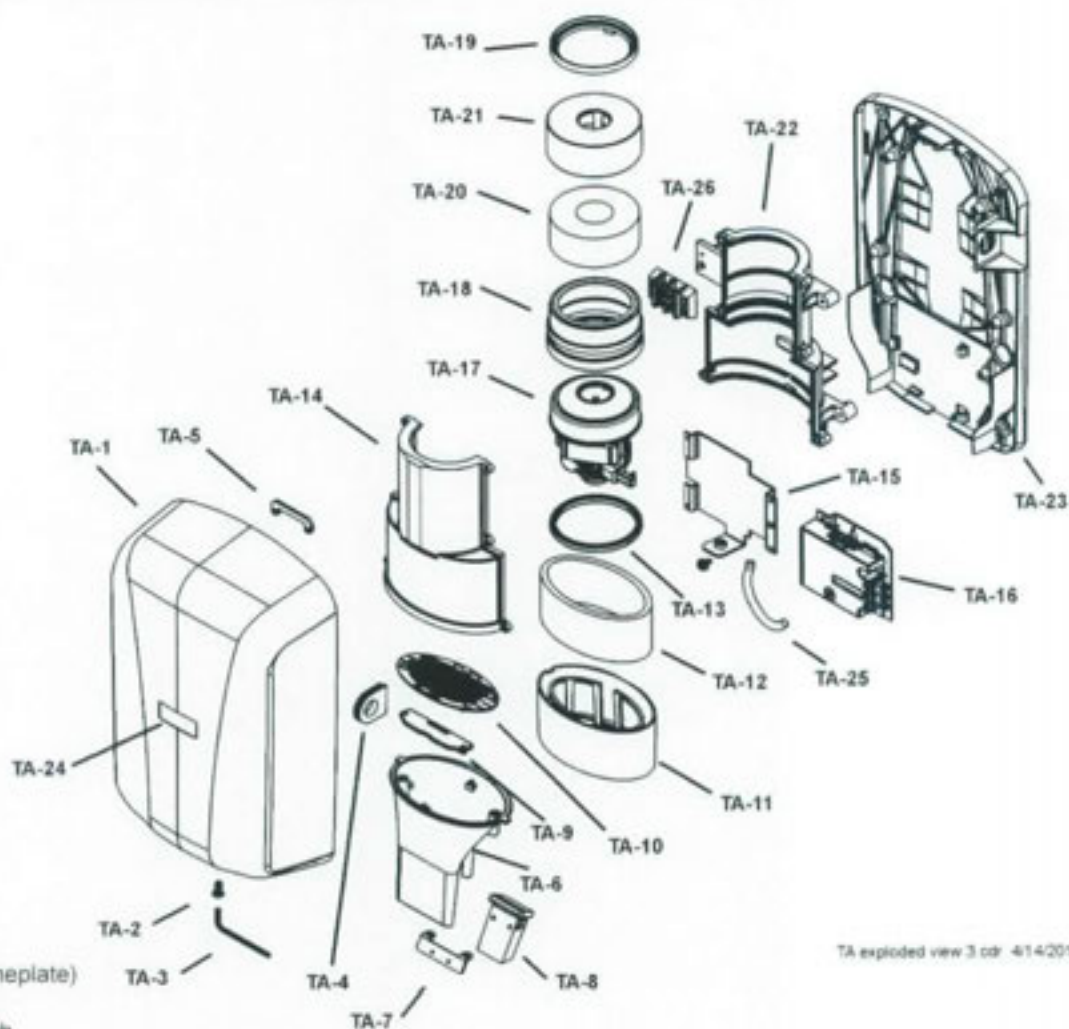
2 LONG / 3 SHORT FLASH	Shorted or incorrect heater	Replace Heater	Dryer will stop
2 LONG / 4 SHORT FLASH	Open/broken heater	Replace Heater	Dryer will still run

### VOLTAGE PROBLEM CODES

3 LONG / 3 SHORT	Main Panel Over Voltage	Check incoming voltage	Dryer will stop
3 LONG / 4 SHORT	Main Panel Under Voltage	Check incoming voltage	Dryer will stop

If problem cannot be resolved with the above, please contact your distributor or call the manufacturer at 1.413.525.4531

# READ AND SAVE THESE INSTRUCTIONS



TA exploded view 3 cdr 4/14/2015 tek

## PARTS LIST

Ref. No.	Description
TA 1	Cover (includes Nameplate)
TA 2	Tamper-Proof Bolt
TA 3	Tamper-Proof Wrench
TA 4	Knockout Gasket
TA 5	Bracket Cover Hook
TA 6	Nozzle
TA 7	Optic Bracket
TA 8	Optic Assembly (Sensor)
TA 9	Finger Guard
TA 10	Heating Element Assembly
TA 11	Muffler Housing (output)
TA 12	Muffler Foam (output)
TA 13	Motor Gasket Ring
TA 14	Clamshell Upper
TA 15	Bracket Cover
TA 16	Control Assembly
TA 17	Motor
TA 18	Motor Gasket
TA 19	Pre-filter (includes screen)
TA 20	Muffler Foam (input)
TA 21	Muffler Housing (input)
TA 22	Clamshell (lower)
TA 23	Base Plate
TA 24	Nameplate
TA 25	Pressure Tube
TA 26	Terminal Block