

INSTALLATION INSTRUCTIONS FOR XLERATOR® HAND DRYER

FOR PROPER ELECTRICAL CONNECTIONS, CHECK YOUR LOCAL BUILDING CODES. YOUR UNIT MUST BE INSTALLED BY A QUALIFIED, LICENSED ELECTRICIAN.

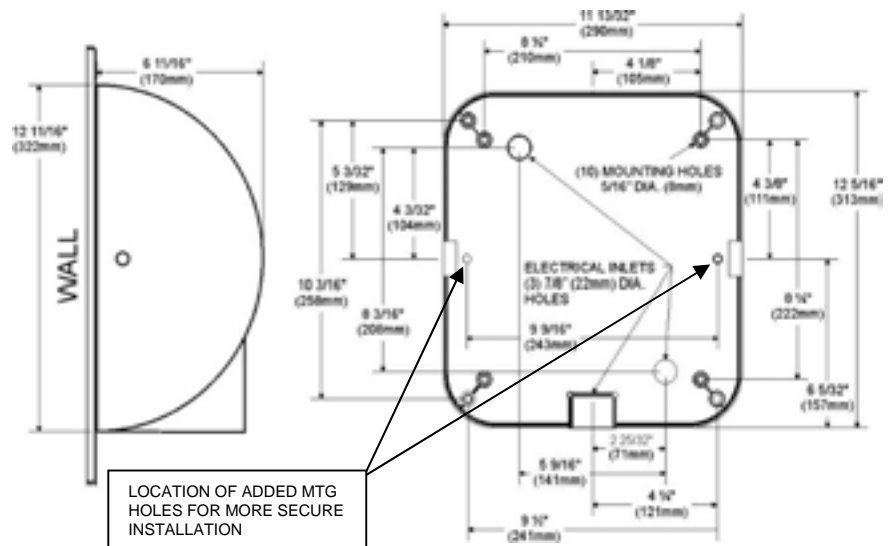
Suggested Mtg. Heights from floor to bottom of dryer

Men's	45" (1143 mm)
Ladies'	43" (1092 mm)
Teenagers'	41" (1041 mm)
Sm. Children	35" (889 mm)
Handicapped	37" (940 mm)

IF MOUNTING OVER COUNTERTOP, DISTANCE FROM COUNTER TO DRYER **MUST BE 15" (381mm) MINIMUM**

Recommended Fastener

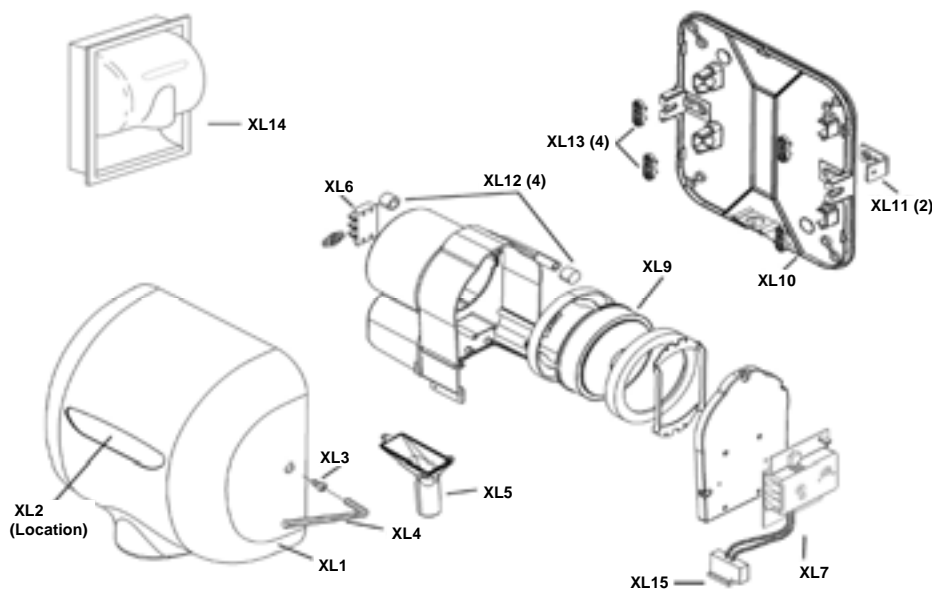
Masonry Wall	½" expansion sleeve with ¼" lag bolt
Hollow Wall	¼" wing type through bolt
Wooden Wall	¼" lag screw with washer



1. Remove cover of dryer by unscrewing two tamper-proof bolts from the sides of the cover with the special wrench provided with each unit.
2. Attach wall plate at the four corners to smooth wall. In locations where vandalism is a concern, use the two additional mounting holes shown. Remove control assembly to access right side mounting hole. Attach with the recommended type of fastener (see above).
3. Connect a 220/240V dryer to no more than a 15 Amp. dedicated branch circuit using at least a #14 GA copper wire. Attach lines to terminals as indicated by the schematic inside dryer. Be sure that an equipment ground wire is securely fastened to green ground screw on base plate. Dryers should be installed per local code requirements.
4. In multiple installations, before replacing cover, check the Serial Number marked inside the dryer to be sure it matches the Serial Number marked on the label at the bottom of cover. **PLEASE DO NOT SWITCH COVERS. Do not forget to leave the special TAMPER PROOF WRENCH with the owner.**

INSTALLATION NOTE: If the dryer will not turn on, stays on or stops working, it may be mounted too close to a counter or object. Turn off the power to dryer for 10 seconds and then reapply power. If dryer will start, then turn off again, relocate the object or remount dryer. If this is not possible, adjust the range of the sensor by turning the range adjustment on the control board, counterclockwise to decrease sensor range.

NOTE: Upon completing installation and checking for proper operation, it is **highly** recommended that a bead of **silicone sealant** be placed around the outside of the cover at the wall to protect dryer from internal corrosion caused by wash water and cleaning solutions



PARTS LIST FOR XLERATOR DRYER

<u>REF NO.</u>	<u>DESCRIPTION</u>
XL 1	Cover (includes Nameplate)
XL 2	Nameplate
XL 3	Tamper-proof Bolt
XL 4	Tamper-proof Wrench
XL 5	Air Outlet (includes gasket)
XL 6	Terminal Block (includes screws)
XL 7	Control Assembly & Sensor
XL 9	Motor Assembly
XL 10	Wall Plate Assembly
XL 11	Cover Mounting Brackets
XL 12	Housing Grommet
XL 13	Housing Retainer
XL 14	Recess Kit (for ADA)
XL 15	Optics Assembly (Sensor)
XL 16	Fuseholder (if so equipped)
XL 17	Fuse (if so equipped)

NOTE: Model, Serial Number and Voltage of the dryer **MUST BE** included when ordering parts.

⚡ **DISCONNECT ELECTRICAL SUPPLY TO DRYER PRIOR TO SERVICING** ⚡

CLEANING INSTRUCTIONS

OUTSIDE

Gently wash cover (including air Inlet holes) using a soft cloth or sponge and a mild soap or detergent with lukewarm water to loosen dirt and grime.

INSIDE - CLEANING SHOULD BE PERFORMED BY QUALIFIED SERVICE PERSONNEL

With normal use, dryer will require cleaning once a year. **Heavier usage requires more frequent cleaning.** Lint on the air inlet or other internal parts of dryer will reduce efficiency and shorten the life of the working parts. To clean, remove cover by unscrewing the tamper-proof bolts from cover with the special wrench provided with each dryer. Use a small, soft brush to gently clean all parts.

TROUBLESHOOTING YOUR DRYER

As with any electrical appliance, repairs to be performed by qualified service personnel

If your dryer does not turn on

1. Verify that the dryer is receiving power by checking electrical service, circuit breaker or fuse to the dryer.
2. Check voltage to dryer terminal block.
3. Check RED service LED light for the following:

Light is ON – Place hands under sensor. If light stays **on**, then replace sensor. If light goes **off**, check to make sure wiring is correct at dryer control. If OK, check motor fuse if so equipped, and wire connecting to motor. If both are OK, replace motor.

Light is OFF – Check for loose, disconnected or improper wiring at dryer control (See wiring schematic inside dryer cover), or replace dryer control.

Light is FLASHING – Dryer is in lockout mode. (See installation note.)

If your dryer does not shut off

1. May be mounted too close to a counter or object (See installation note).
2. Check for loose, disconnected or improper wiring at dryer control. (See wiring schematic inside dryer cover)
3. Replace dryer control.

If your dryer does not always turn on, or turns on by itself

1. May be mounted too close to a counter or object (See installation note).
2. Check for foreign material on optical sensor next to air outlet.
3. Check for loose wires on dryer control.
4. Replace dryer control.

If your dryer has a loss of air volume

1. Check for air leaks at the heating element or nozzle. If leaking, replace heating element or nozzle.
2. Check for slow running motor or burning smell. If so, replace motor.

Note: If the problem cannot be resolved with the above, please call the telephone shown below and one of our trained technicians will be happy to assist you.



EXCEL DRYER (UK) LTD.

78 Albemarle Gardens

New Malden • Surrey • KT3 5BD

Tel: 020 8942 1211

Fax: 020 8942 1201

www.xlltd.co.uk